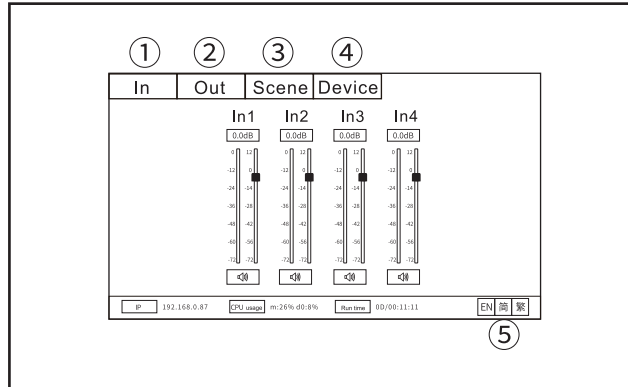


WALL PANEL INSTALL INTRODUCTION

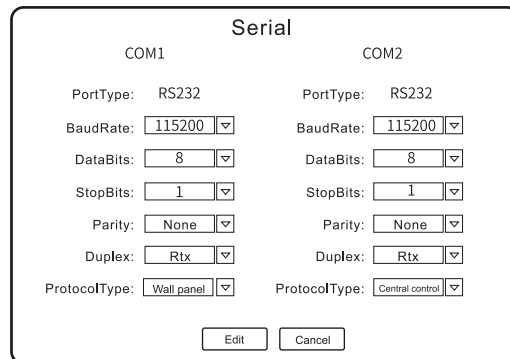
Introduction

1. Input Volume Setting
2. Output Volume Setting
3. Scene Setting
4. Device Information
5. Language Setting

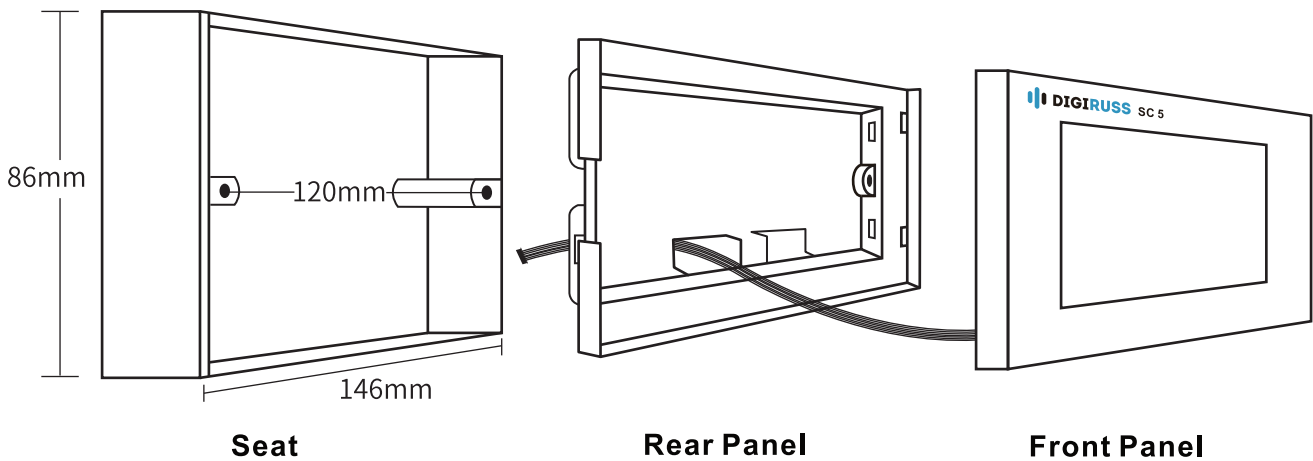


Setting

Open the software on the computer, then go to the "Device setting" interface, go to the "Serial" setting, modify the "ProtocolType" to "Wall panel"

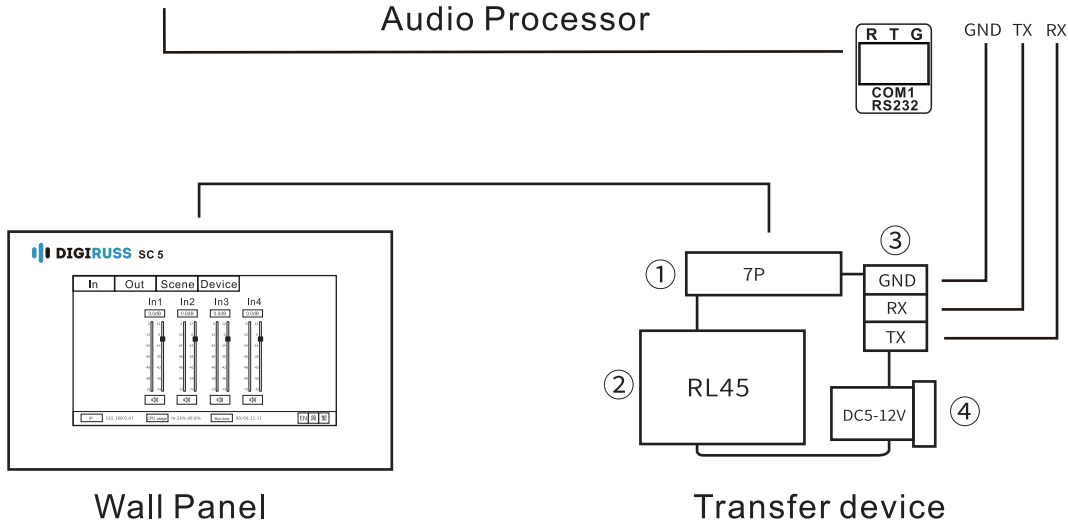
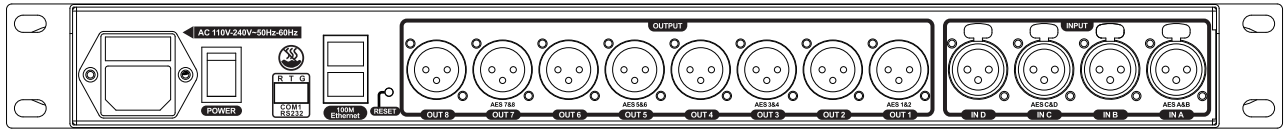


Installation



1. Fix the base with screws first
2. then fix the rear panel on the base with screws
3. finally install the front panel on the rear panel

Connection



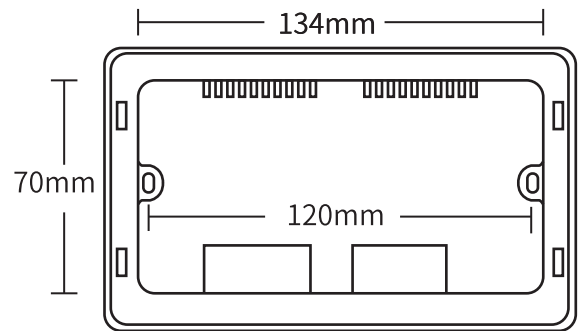
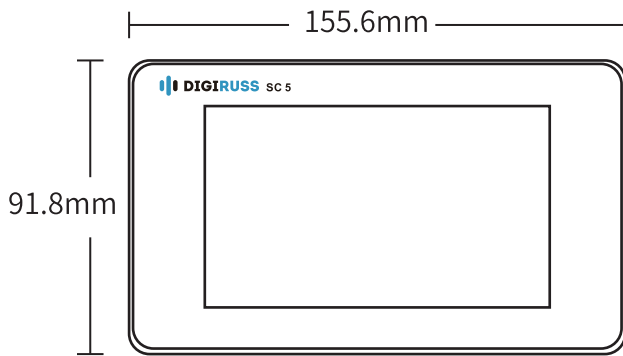
1.7P interface

2.RJ45

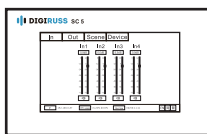
3.RS232

4.DC5-12V Power Interface

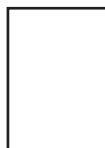
Size



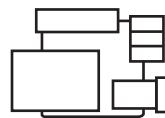
Accessories



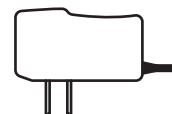
1.Wall Panel*1



2.User Manual*1



3.Transfer device*2
(For cascading wall panel)



4.Power plug*1



5.7P Cable*1